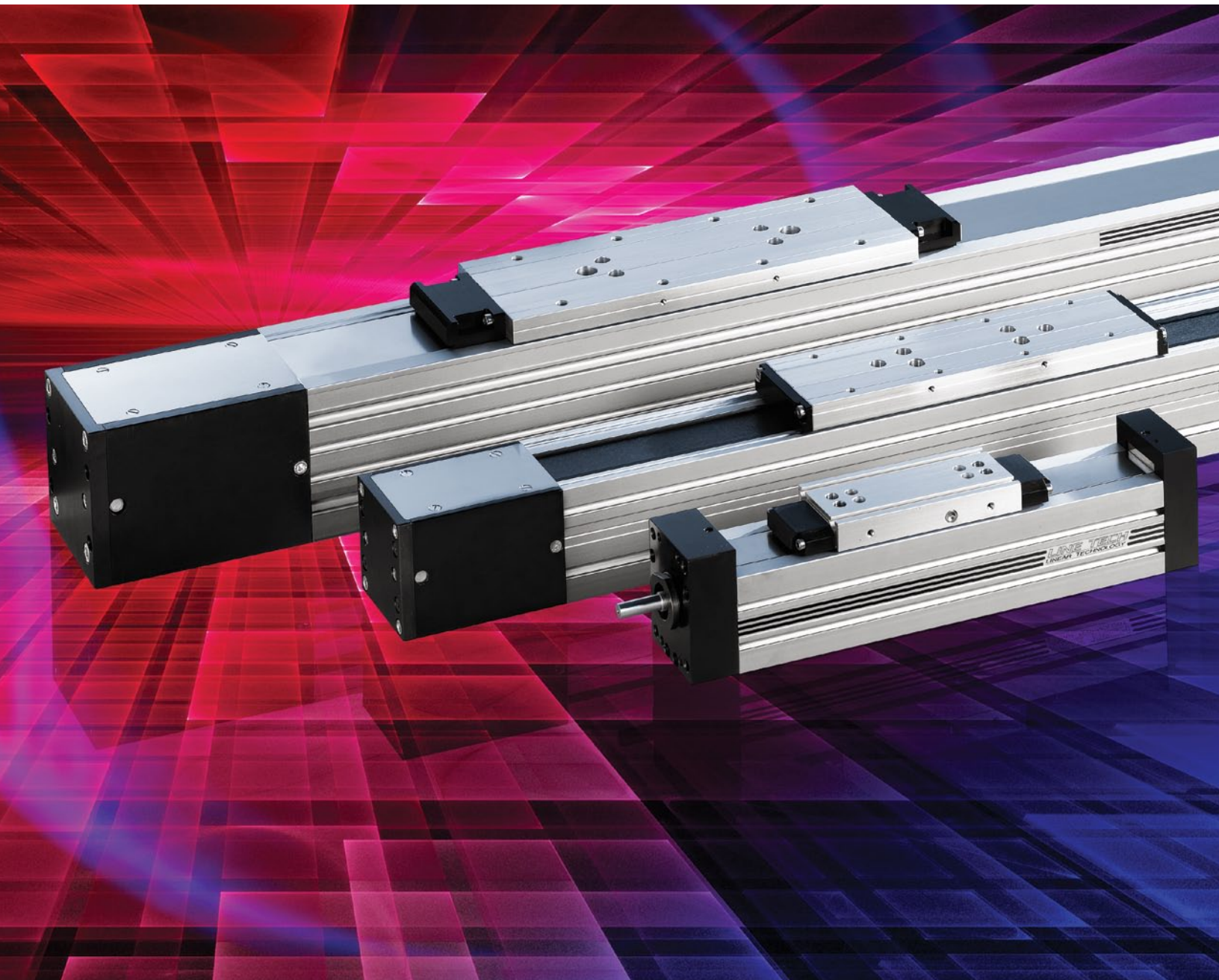


Modular Rodless
Belt-Driven Actuators

EXTRAK



EXLAR

Extrak Rodless Actuators

By choosing Exlar you can be sure you have the most robust mechanical drive possible in your rodless actuator application. This commitment to quality and long life makes Exlar your sure choice for rodless actuators in industrial applications.



EXTRAK

The Extrak Design Advantage

- ▶ Speed of over 16 feet per second (5m/sec) is achievable depending on the load, driving motor, and actuator drive type. These higher speeds greatly increase the application versatility of the actuator.
- ▶ Stroke lengths are available up to 22 feet (6.7m). Optional limit switch packages allow the stroke length limits and homing reference positions to be set within the physical limits of the actuator.
- ▶ Flexible – The rodless actuators utilize a close-coupled motor mounting flange for mounting your choice of NEMA or metric dimension motors, gearboxes, clutches, and brakes. This allows the unit to be customized to specific application requirements with the smallest possible package.
- ▶ Shorter overall length – Unlike the rod-style actuator, the extended and retracted lengths are the same. This permits a smaller envelope for the actuator and allows it to be applied in more size restricted applications.

Rodless Actuation

Exlar, the leading supplier of industrial servo controlled actuators, offers a complete line of rodless actuators. Exlar's Extrak™ rodless actuators complement Exlar's "long life" line of rod style actuators and create, in one source, the broadest offering of electric linear actuators anywhere. This addition makes Exlar your one-stop solution center for all your linear and rotary actuator needs. Exlar's products are designed for heavy duty [continuous motion] applications and are ideal for industrial positioning or material handling applications with their high speed and long stroke length capabilities. Electric actuators from Exlar will perform millions of operations over the life span of your machine. Like Exlar's rod style actuators, Exlar's rodless actuators use components which are designed for extreme robustness and long life.

Profile Size

Exlar's Extrak actuators are available in three different profile [frame] sizes; 65 mm, 80 mm, and 110 mm. This allows you to conveniently match the physical size allowed by your application with the required performance. Stroke lengths are available up to 22 feet (6.7m) of usable stroke. These rugged actuators can carry heavy loads in excess of 10,000 lb (4500kg) in high duty applications – even higher loads are possible for intermittent duty service.

Frame/Enclosure

Exlar rodless actuators consist of a precision aluminum frame/housing with a movable platen. The extruded housing acts as the frame of the unit and provides for the mounting of linear bearing guides and the driving motor. The linear guide system incorporates high performance linear rails which assure high radial stiffness and vibration-free operation. These criteria are important to assure both precise execution of motion profiles and extremely long life.



Extrak Rodless Actuators

Protection

An optional steel band seal is available for protection. The steel band is held to the case magnetically and covers the belt and guides. This helps to keep debris out of the drive system which may eventually adversely affect the operation of the belt and guides.

All Extrak actuators can be supplied with pressure ports for applying positive air pressure to the actuator in extreme environments. This feature, when employed, will provide additional protection against debris penetrating the housing and affecting operational mechanisms.

Motors

Exlar Extrak actuators are modular in design thus allowing the user to mount any metric 60, 90, or 115 mm frame or Nema 23, 34, 42 or 56 frame motor.

Motors are available from Exlar, compatible with nearly any servo amplifier. Alternatively you can readily mount your own motor. In this case Exlar will manufacture the adapter flange to the required dimensions for simple mounting of your motor to the actuator.

Toothed Belt Drive

Exlar's belt drive rodless actuator employs a tooth Power Grip™ premium belt from Gates to convert the rotary motion of the driving motion to the high speed linear motion of the platen. The "long-life" belts provide higher possible speeds of up to 16 ft/sec, (5m/sec) and due to their composition allow long life. Please be aware that belt drives exhibit high rotational inertia and that proper

matching of the driving motor and actuator is important. A planetary gear reducer is an option to assure proper inertia matching.

Mounting

Mounting of the Extrak actuator to your machine frame is simple. The profile of the Extrak includes multiple sized T-slots which allow mounting to other commercially available extruded machine frame products. These also offer mounting of multiple Extrak modules to each other for multi-axis systems. See dimensions on page 10.

Accessories

Accessories are available assuring that you can adapt the actuators to perform specific control functions necessary for each application you encounter.

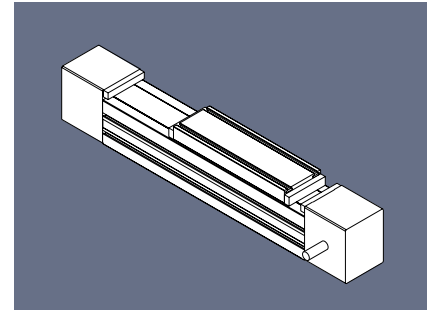
1. Limit switches
2. Limit switch cables
3. T-Nuts
4. Mounting screws
5. Additional travelers

Drive

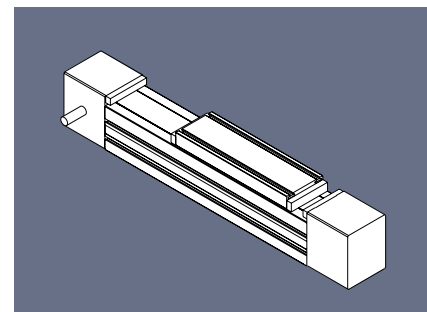
In order to simplify the selection of the optimal drive, you'll find on right the various drive solutions in line with the most important performance data. This allows for the comparison of the different drives and the selection of the drive solution appropriate to the customer's individual need. In case of any specific or higher requirements to the positioning system we ask you to get in contact with Exlar customer service.

Mounting Configurations

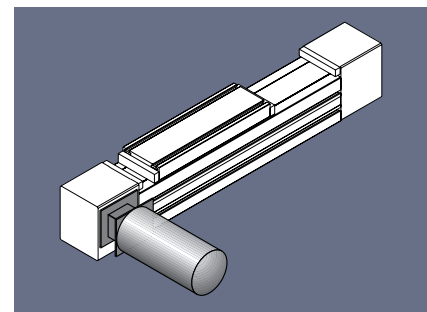
The Exlar rodless actuator can be purchased in various mounting types. See dimensions on page 10.



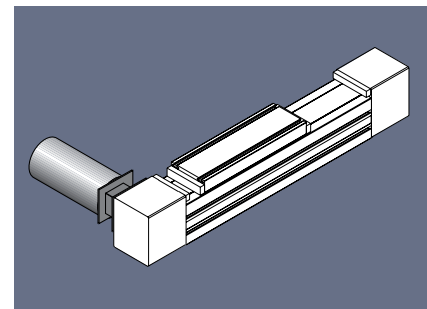
Free shaft end right hand side (FSR Mounting Type)



Free shaft end left hand side (FSL Mounting Type)



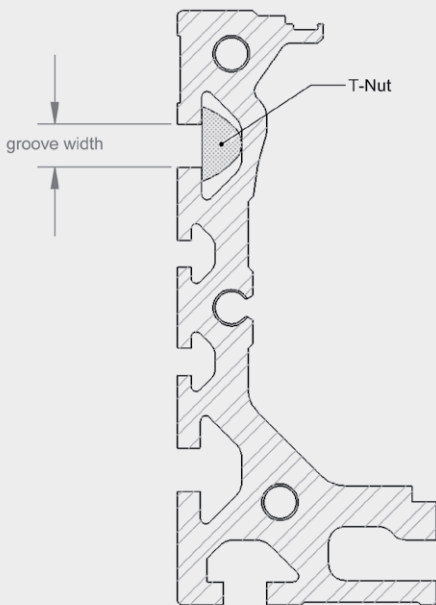
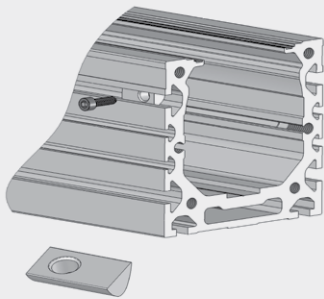
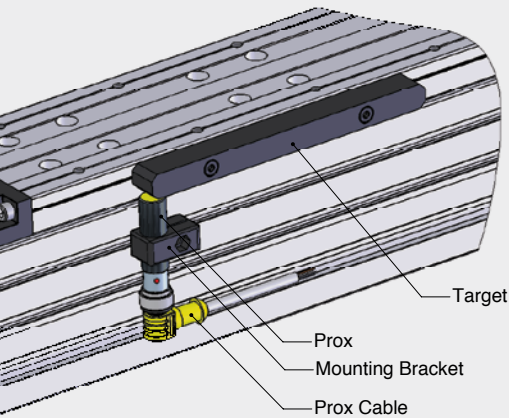
Belt drive left with coupling and intermediate plate (SLP Mounting Type)



Belt drive right with coupling and intermediate plate (SRP Mounting Type)



Use of T Nuts



Picture 1b: Limit Switch Profile

Limit Switches

The limit switches are used in conjunction with a control unit to limit the stroke (prevent overrunning of the carriage) and to define the reference position.

The standard inductive limit switches are PNP-N.C. with the following specifications:

Supply: 10...30 VDC

Current consumption off-load: < 10 mA

Load: max. 200 mA

Mechanical switch-ratio: $\leq 0.4\text{mm}$

On request the following non-standard limit switches are available:

- PNP-normally open (PNP-NO)
- NPN-normally closed (NPN-NC)
- NPN-normally open (NPN-NO)

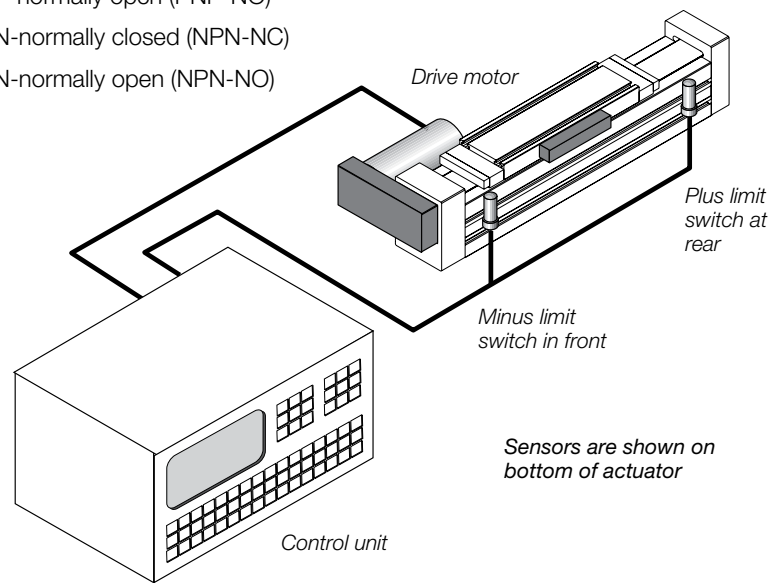
Mounting of the Limit Switches

The mounting position of the limit switches is shown in picture 1a. The reference position can be located either to the plus (+) or to the minus (-) limit switch.

Limit switch cables are not included in the delivery. However they can be ordered separately.

On request the limit switches can be connected to a connector shell (picture 1b).

The limit switch cable is equipped with a plug on one side.



Picture 1a: Fitting position of the limit switches

Accessories

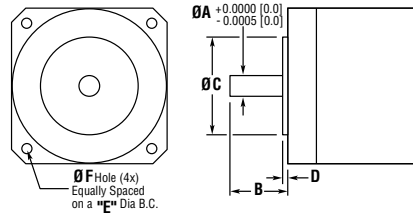
T Slot Nuts

NS5 CS M5	T-Slot Nut 5 mm w/M5 thread, (PN 34686)
NS5 CS M5	T-Slot Nut 5 mm w/M5 thread Stainless Steel, (PN 34690)
NS6 CS M6	T-Slot Nut 6 mm w/M6 thread, (PN 34692)
NS6 CS M6	T-Slot Nut 6 mm w/M6 thread Stainless Steel, (PN 34693)
NS8 CS M8	T-Slot Nut 8 mm w/M8 thread, (PN 34694)
NS8 CS M8	T-Slot Nut 8 mm w/M8 Stainless Steel, (PN 34696)

Product Selection Information

NEMA Standard Motor Dimensions

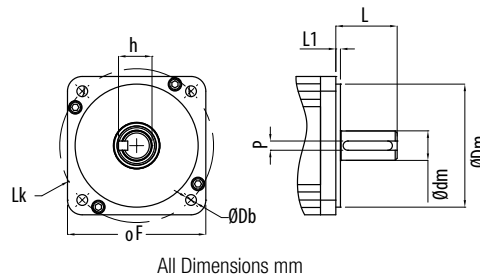
The Extrak actuators offer the selection for motor mounting provisions to be the various NEMA motor sizes. Because there are variations from brand to brand of motor as to what is called NEMA dimensions, we publish this table of NEMA dimensions that we use as the standards for the product line.



Dimension (in)	NEMA 23	NEMA 34	NEMA 42	NEMA 56
"A" Motor Shaft Diameter	0.25	0.5	0.75	0.625
"B" Motor Shaft Length	0.81	1.19	2.19	2.0625
"C" Motor Pilot Diameter	1.5	2.875	2.186	4.5
"D" Pilot Depth	0.05	0.0625	0.0625	0.1 - 0.16
"E" Mounting Bolt Circle	2.625	3.875	4.95	5.875
"F" Mounting Bolt Hole Diameter	0.205	0.223	0.328	3/8-16 UNC tap

Drawings subject to change. Consult Exlar for certified drawings.

Standard Motor Mounts for EXTRAK Series



Exlar	with Toothed Belt			□F	ØD _M	Ød _M	L	L ₁	ØL _K	ØD _B	P	h
	LMB30	LMB40	LMB50									
SLM060	•			60.0	50.0	14.0	30.0	2.5	70.0	5.6	5.0	15.9
RDM060	•					16.0	36.2	3.0				
SLG060	•					19.0	40.0	3.0				
RDG060	•					22.0	48.0	3.0				
SLM090	•	•	•	90.0	80.0	19.0	40.0	3.0	100.0	7.0	6.0	21.5
RDM090	•	•	•			22.0	48.0	3.0				
R2M090	•	•	•			24.0	50.0	4.0				
SLG090	•	•	•			32.0	65.0	4.0				
RDG090	•	•	•			130.0	8.5	10.0				
R2G090	•	•	•			130.0	8.5	10.0				
SLM115	•	•	•	115.1	110.0	24.0	50.0	4.0	130.0	8.5	8.0	27.0
R2M115		•	•			32.0	65.0	4.0				
SLG115		•	•			130.0	8.5	10.0				
R2G115		•	•			130.0	8.5	10.0				
SLM142			•	142.0	130.0	32.0	58.0	3.5	165.0	11.0	10.0	35.0

ExTrak LMB Series Ordering Information

LMx_AA-BBBB-CCC-DE-FFF-GGG-HH

EXTRAK LMB Series

LMB = Belt Drive Rodless Actuator

AA = Size

30 = 65 mm

40 = 80 mm

50 = 110 mm

BBBB = Stroke Length

0 - 7000

CCC = Travel per Input Revolution

155 = 155 mm (30 only)

205 = 205 mm (40 only)

296 = 296 mm (50 only)

D = Linear Bearing Guides

2 = Standard, Long Platen

E = Steel Band Cover

N = None

S = Stainless Strapping

C = Carbon Steel Strapping

FFF = Input Mounting Type

A## = Alpha numeric motor call-out. Contact Exlar Applications Engineering. Motor not included.

FSL = Free Shaft Left

FSR = Free Shaft Right

DFS = Dual Free Shafts, L & R

SLP = Shaft Left with Mounting Plate

SRP = Shaft Right with Mounting Plate

DLM = Dual Shafts with Left Mounting Plate

DRM = Dual Shafts with Right Mounting Plate

GGG = Motor Type

NMT = No Motor Mount

M60 = Exlar 60mm SLM

M90 = Exlar 90mm SLM

M11 = Exlar 115mm SLM

M14 = Exlar 142mm SLM

G60 = Exlar 60mm SLG

G90 = Exlar 90mm SLG

G11 = Exlar 115mm SLG

N23 = NEMA 23

N34 = NEMA 34

N42 = NEMA 42

N56 = NEMA 56

HH = Limit Switches

L1 = 1 Switch

L2 = 2 Switches

L3 = 3 Switches

Load Capacity

Load Capacity

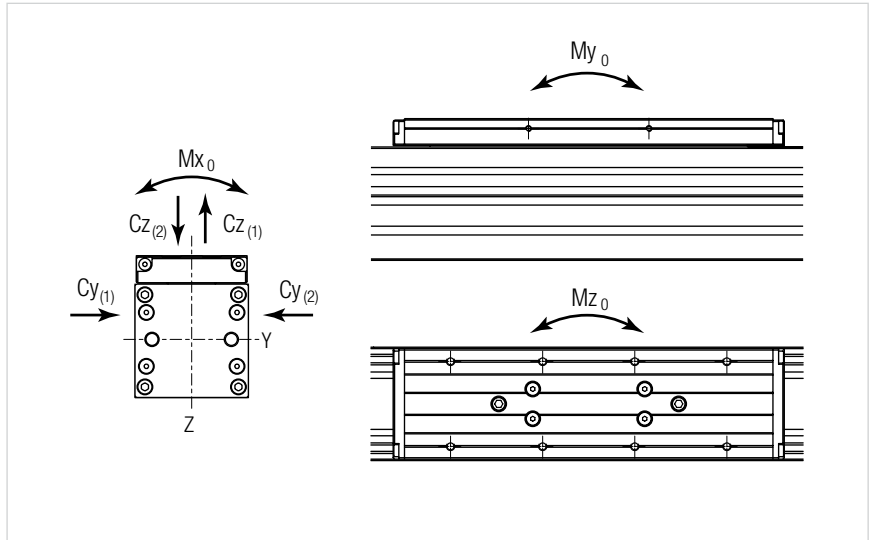
The load capacity is determined by the selected guiding system. We recommend to applying maximum 20% of the dynamic load rate to the unit.

Applied Moment Load

The allowable values for applied moments are determined by the selected guiding system. The illustration at right shows the descriptions of moment loads as depicted in the table below.

Deflection

For positioning units the maximum allowed deflection angle is of 0.5°. Exceeding this value will decrease the unit's life.



Picture 12: Directions of possible torque application

EXTRAK Load Ratings

Type	Drive	Dynamic Load Rating (kN)				Dynamic Torque Rating (Nm)			Static Load Rating (kN)				Static Torque Rating (Nm)			Area Moment of Inertia (cm ⁴)	
		Cy(1)	Cy(2)	Cz(1)	Cz(2)	Mx0	My0	Mz0	Cy0(1)	Cy0(2)	Cz0(1)	Cz0(2)	Mx0	My0	Mz0	Iy5	Iz5
LMB30	Toothed Belt	14.6	14.6	16.7	16.7	20.0	918.5	808.3	21.2	21.2	25.3	33.8	170	1330	1117	66.9	82.4
LMB40	Toothed Belt	20.5	20.5	23.4	23.4	39.2	1719.9	1513.5	29.6	29.6	35.2	47.0	320	2590	2176	131.2	197.8
LMB50	Toothed Belt	33.0	33.0	37.6	37.6	88.6	5555.2	4888.5	45.9	45.9	54.7	73.0	572	5803	4874	451.9	623.9

EXTRAK Performance Ratings, Toothed Belt Circumferential

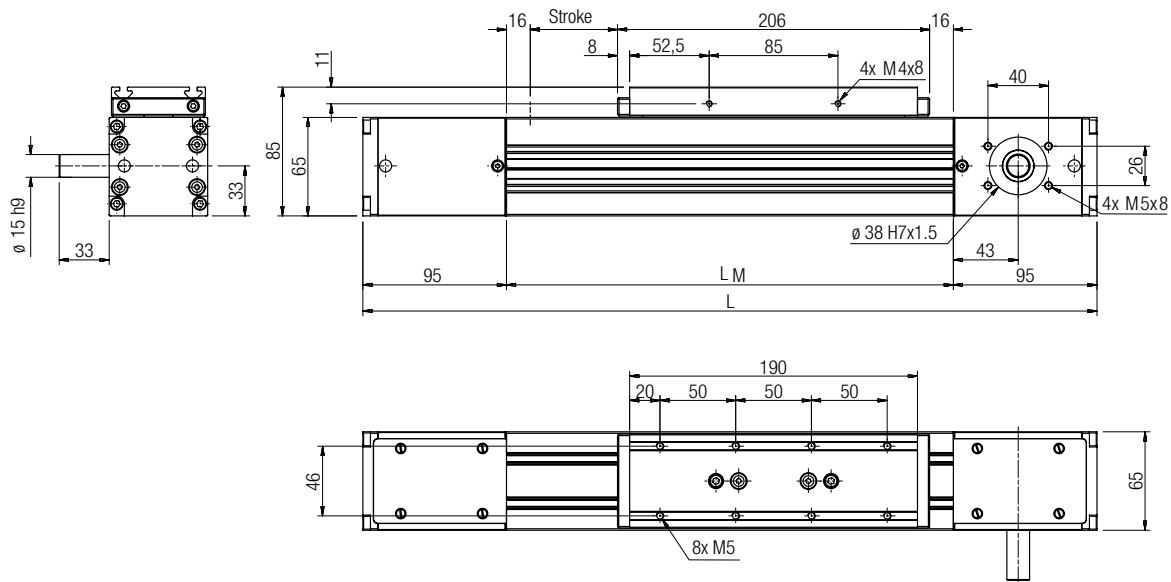
Size	Belt Type	Travel/Rev (mm)	Stroke Range (mm)	Positioning Accuracy (µm/mm)	Repeating Accuracy (+/- mm)	Reversal Backlash (mm)	Max Speed (m/s ²)	Max Accel (m/s ²)	Max Axial Force (N)	Max Input Torque (Nm)
LMB30	GT 5/25	155 mm/rev	≤ 7600	200/1000	0.1	0	1.6	Limited by max input torque	1560	38
LMB40	GT 5/40	205 mm/rev	≤ 7500	200/1000	0.1	0	1.6		2200	70
LMB50	ST 8/50	296 mm/rev	≤ 7400	200/1000	0.1	0	1.6		3720	175

EXTRAK Belt Drive Modules

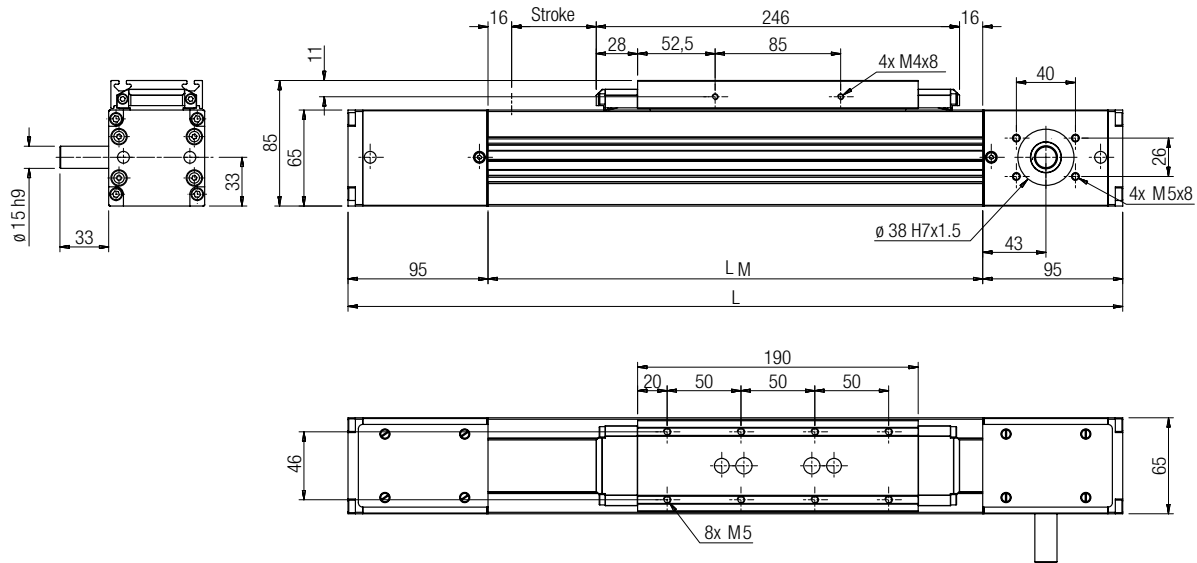
		LMB30	LMB40	LMB50
Travel per Revolution	in (mm)	6.1 (155)	8.1 (205)	11.7 (296)
Maximum Input Torque	lbf-in (Nm)	336 (38)	620 (70)	1549 (175)
Base Unit Inertia	lbf-in-sec ² (kgm ²)	0.0080 (0.0009)	0.0239 (0.0027)	0.1195 (0.0135)
Positioning Accuracy	in/in (µm/mm)	2-E4 (200/1000)	2-E4 (200/1000)	2-E4 (200/1000)
Repeating Accuracy	+/- in (mm)	0.0039 (0.1)	0.0039 (0.1)	0.0039 (0.1)
add per 100 mm stroke				
Additive Inertia	lbf-in-sec ² (kgm ²)	0.0009 (0.0001)	0.0027 (0.0003)	0.0133 (0.0015)
Axial Force - Friction without steel strap	lbf (N)	1.1 (5)	2.2 (10)	4.5 (20)
Axial Force - Friction with steel strap	lbf (N)	2.2 (10)	4.0 (18)	6.7 (30)

LMB30 with linear rail guiding system and toothed belt drive

LMB30 Without Protection



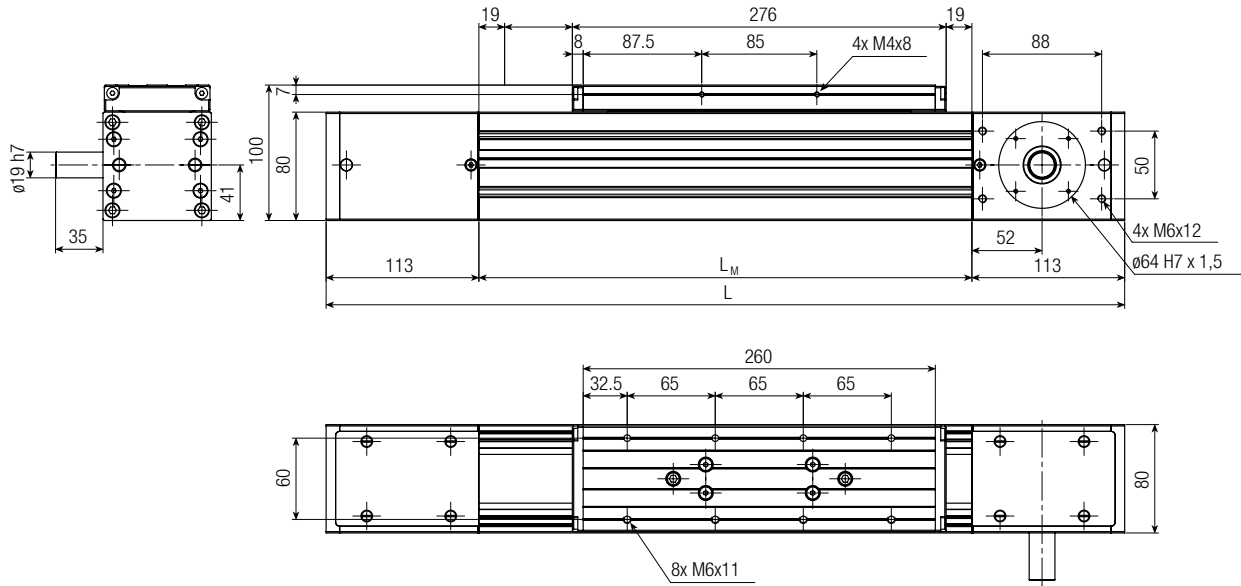
LMB30 With Steel Strapping



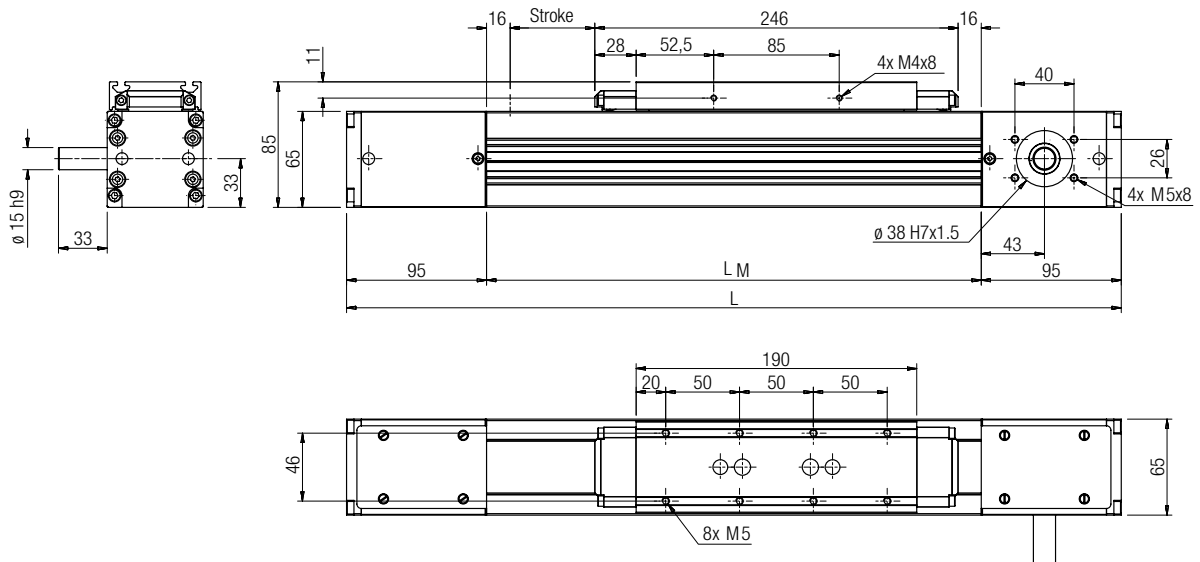
Model	L (mm)	L _m	Belt Length	Length Steel Strapping	Weight
LMB30 w/o steel cover	Stroke + 435	Stroke + 245	2 x Stroke + 730	N/A	4.5 kg + 0.60 kg/100 mm stroke
LMB30 w steel cover	Stroke + 475	Stroke + 285	2 x Stroke + 810	Stroke + 465	4.8 kg + 0.60 kg/100 mm stroke

LMB40 with linear rail guiding system and toothed belt drive

LMB40 Without Protection



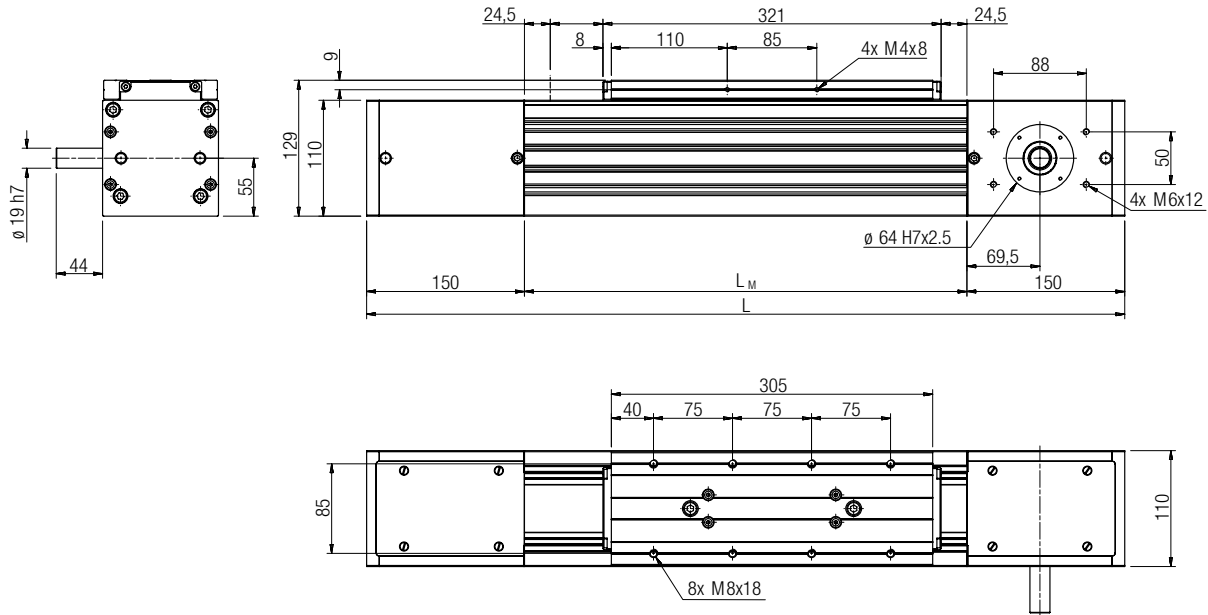
LMB40 With Steel Strapping



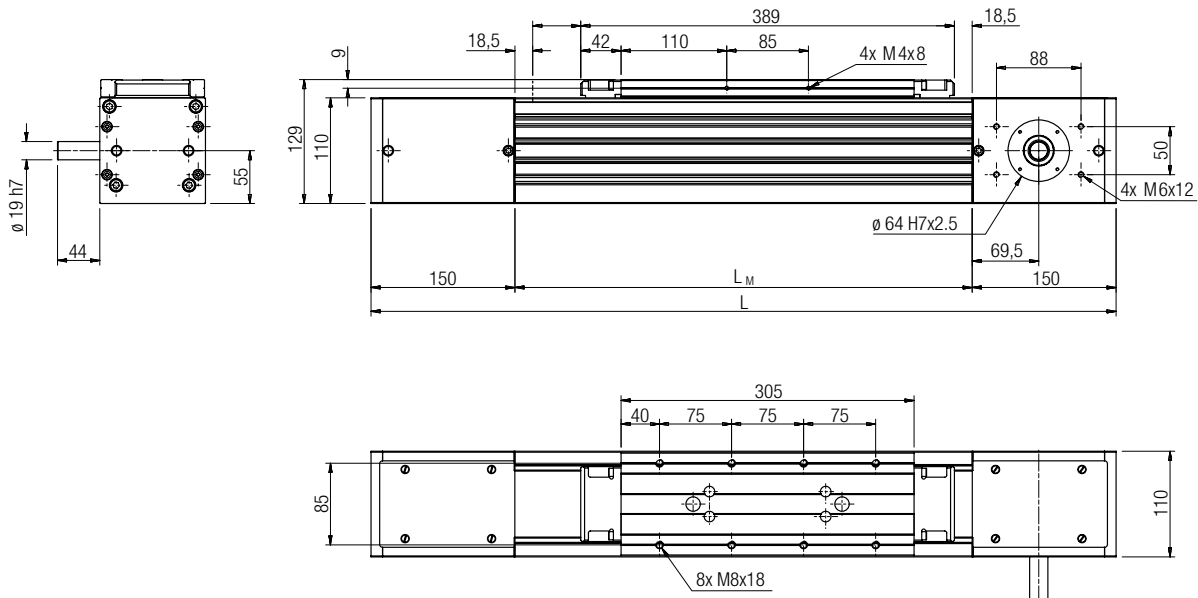
Model	L (mm)	L_m	Belt Length	Length Steel Strapping	Weight
LMB40 w/o steel cover	Stroke + 540	Stroke + 314	2 x Stroke + 900	N/A	8.4 kg + 0.93 kg/100 mm stroke
LMB40 w steel cover	Stroke + 608	Stroke + 382	2 x Stroke + 1040	Stroke + 596	9.1 kg + 0.95 kg/100 mm stroke

LMB50 with linear rail guiding system and toothed belt drive

LMB50 Without Protection



LMB50 With Steel Strapping

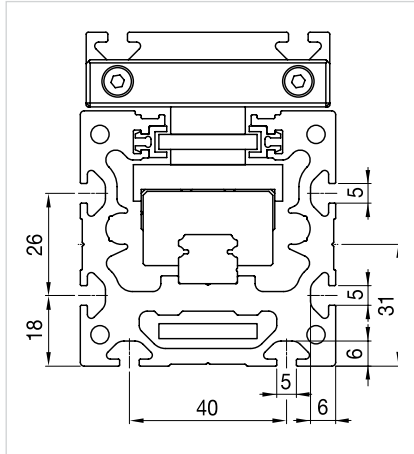


Model	L (mm)	L_m	Belt Length	Length Steel Strapping	Weight
LMB50 w/o steel cover	Stroke + 670	Stroke + 370	2 x Stroke + 1144	N/A	18.6 kg + 1.48 kg/100 mm stroke
LMB50 w steel cover	Stroke + 726	Stroke + 426	2 x Stroke + 1256	Stroke + 712	19.5 kg + 1.50 kg/100 mm stroke

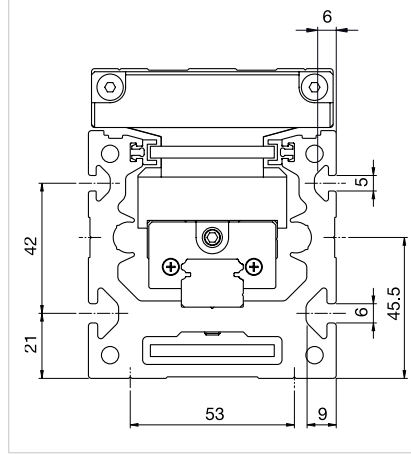
Calculation Guidelines

Profile cross-sections LMB30/40/50

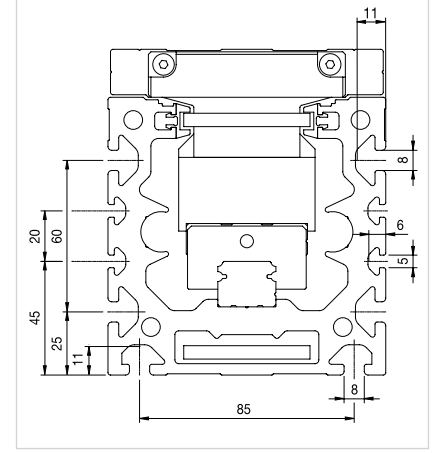
LMB30 with linear rail guiding system and toothed belt drive



LMB40 with linear rail guiding system and toothed belt drive



LMB50 with linear rail guiding system and toothed belt drive

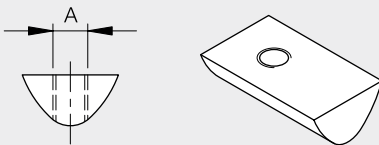


T-Slots and T-Nuts

For all unit sizes the profiles, and often the carriages as well, come with T-Slots. The T-Slots of the linear actuator LMB40/50 are not equipped with such. The attachment of those two types is made through threaded holes. The positions of the T-Slot as well as the maximum thread reach are shown in profile cross-sections above.

According to the T-Slot width, T-Nuts of the types NS5, NS6 and NS8 are available. The T-Nuts are available from Exlar. The order number must show type, material and thread size (e.g. NS5 M5).

The available types are shown below.



Groove Width (mm)	Dimension "a" (mm)	Material	Order Number
5	M5	Stainless Steel	NS5 M 5
6	M6	Stainless Steel	NS6 M 6
8	M8	Stainless Steel	NS8 M 8

Material \rightarrow
Dim "a" \rightarrow
Sample: NS5 SS M5

Calculation Guidelines

The determination of service life must be calculated based on the specifications of the linear guide system and the drive system.

It is the linear guide or guide roller system which normally determines the service life. Therefore the following equations can be used for an approximation of service life.

Dynamic load

The nominal service life L_{10} is being calculated from the dynamic load factor C_{dyn} (N) and the applied load F_r (N):

$$L_{10} = \left(\frac{C_{dyn}}{F_r} \right)^3 \quad (10^5 \text{ m run})$$

Static load

In cases where only static load is applied, the static load factor f_s is calculated in order to show that an actuator with an adequate load capacity has been selected. Taking into account the static load factor

C_0 (N) and the load F_r (N) results:

$$f_s = \frac{C_0}{F_r}$$

If $f_s \geq 1$, the safety margin is sufficient

If $f_s < 1$, contact Exlar Applications Engineering for further advice.

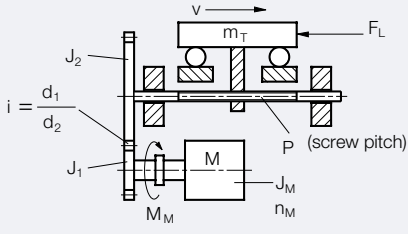
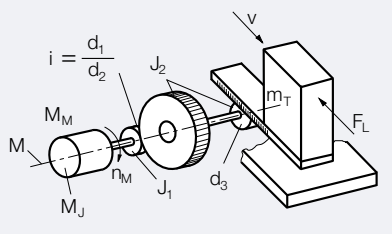
The formulas are applicable only in cases where all bearings are equally loaded, i.e. the load F_r is applied at the center of the carriage. Especially in vertical arrangements of the linear actuator, the drive (screw or belt) must be checked in addition to the guide capacity.

Definition of the drive motor

Size and type of the drive motor primarily depend on the load, the required displacement speed and the acceleration factor. Calculation and choice of a positioning unit shall be based on the worst case service conditions.

The linear actuator can be configured to accept any type of motor including brushless motors, gearmotors, or Tritex rotary actuators from Exlar.

The following formulas are provided for sizing assistance.

			
Motor speed	(min ⁻¹)	$n_M = \frac{v \cdot 6 \cdot 10^4}{p \cdot i}$	$n_M = \frac{v \cdot 6 \cdot 10^4}{\pi d_3 \cdot i}$
Critical speed	(min ⁻¹)	$n_k = 120 \cdot 10^6 \cdot \frac{d}{l^2}$	
Load moment	(Nm)	$M_L = \frac{P \cdot i}{2000 \cdot \pi} F_L$	$M_L = d_3 \cdot \frac{i}{2000} F_L$
Translatory mass moment of inertia	(kgm ²)	$J_T = m_T \left(\frac{p}{2 \cdot \pi} \right)^2 \cdot 10^{-6}$	$J_T = m_T \left(\frac{d_3}{2} \right)^2 \cdot 10^{-6}$
Rotatory mass moment of inertia	(kgm ²)	$J_R = 7,7 \cdot d^4 \cdot l \cdot 10^{-13}$	
Total of reduced mass moments of inertia	(kgm ²)	$J = J_M + J_1 + i^2 (J_R + J_T + J_2)$ (at gear reduction 2:1 → i = 0,5)	
Acceleration torque resp. breaking moment $M_B = f(n_M)$	(Nm)	$M_B = \frac{n_M \cdot J}{9,55 \cdot t_B}$	
Acceleration torque resp. breaking moment $M_B = f(s_B)$	(Nm)	$M_B = \frac{4 \cdot \pi \cdot i \cdot s_B \cdot J}{p \cdot i \cdot t_B^2}$	$M_B = \frac{4 \cdot s_B \cdot J}{d_3 \cdot i \cdot t_B^2}$
Acceleration- / braking period $t_B = f(n_M)$	(s)	$t_B = \frac{n_M \cdot J}{9,55 \cdot M_B}$	
Acceleration- / braking period $t_B = f(s_B)$	(s)	$t_B = \sqrt{\frac{4 \cdot \pi \cdot s_B \cdot J}{p \cdot i \cdot M_B}}$	$t_B = \sqrt{\frac{4 \cdot s_B \cdot J}{d_3 \cdot i \cdot M_B}}$
Resulting speed (rpm) after acceleration	(min ⁻¹)	$n_M = \frac{120 \cdot s_B}{p \cdot i \cdot t_B}$	$n_M = \frac{120 \cdot s_B}{d_3 \cdot \pi \cdot i \cdot t_B}$
Resulting distance of acceleration	(mm)	$s_B = \frac{n_M \cdot t_B \cdot p \cdot i}{120}$	$s_B = \frac{n_M \cdot t_B \cdot d_3 \cdot \pi \cdot i}{120}$
Total of moments to override by the motor	(Nm)	$M_M = \frac{1}{\eta} (M_L + M_B)$	
Power output	(W)	$P_A = \frac{M_M \cdot n_M}{9,55}$	
Effective output torque of motor	(Nm)	$M_{eff} = \sqrt{\frac{\sum t_B (M/M_M)^2 + \sum t_L (M_L/M_M)^2}{\sum t_B + \sum t_L + t_0}} = M_M$	

Key to the formulas:

d (mm) = screw diameter

d₁ (mm) = diameter driving wheel

d₂ (mm) = diameter driven gear

d₃ (mm) = diameter pinion or belt pulley

F_L (N) = feed power

i (-) = gear reduction

J (kgm²) = mass moment of inertia

J₁ (kgm²) = mass moment of inertia driving wheel

J₂ (kgm²) = mass moment of inertia driven gear

J_M (kgm²) = mass moment of inertia drive motor

J_R (kgm²) = rotatory mass moment of inertia

J_T (kgm²) = translatory mass moment of inertia

l (mm) = screw length

M_B (Nm) = acceleration torque resp. breaking moment

M_d (Nm) = motor – continuous torque (see motor spec.)

M_{eff} (Nm) = motor – effective output torque

M_L (Nm) = load moment

M_M (Nm) = motor torque (see motor spec.)

M_{max} (Nm) = motor torque peak

m_T (kg) = external load (linear moving mass)

n_k (min⁻¹) = critical speed for screw drive

n_M (min⁻¹) = motor speed

p (mm) = screw pitch

P_A (W) = power output

s_B (mm) = acceleration / brake path

t_B (s) = acceleration / braking period

t_L (s) = running time under load moment

t₀ (s) = stop period unloaded

v (m/s) = rate of feed

η (-) = mechanical efficiency on motor shaft



Headquartered at our manufacturing and motion control research center in suburban Minneapolis, MN, Exlar serves a global customer base with an extensive standard product line and complete engineering support for custom applications.

Exlar provides sales and support world-wide. To find your local representative, visit our website at www.exlar.com or call our headquarters at 952-500-6200.

Request a free copy of our literature by calling **952-500-6200** or download the pdf at **www.exlar.com**. In addition to the Product Catalog, brochures are available on Exlar's Planetary Roller Screws, K Series Actuators and Tritex II Actuators with Embedded Electronics. Process Control, Defense Industry and Systems Capabilities brochures are also available.

Exlar Corporation
18400 West 77th Street
Chanhassen, MN 55317

TEL: 952.500.6200
Toll FREE: 855.620.6200
General FAX: 952.368.4877
Order Only FAX: 952.368.4359

www.exlar.com

EXLAR